



The Woodford Model 27 drains as handle is shut off even if hose is attached. This faucet is designed for residential outside water service applications and intended for irrigation purposes.

SPECIFICATIONS:
MODEL 50HA BACKFLOW PREVENTER -
Patent Pending

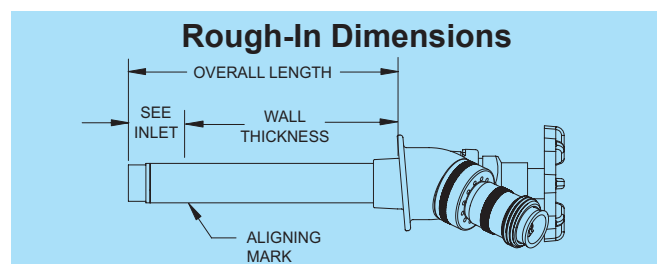
- ASSE 1052 Approved
- Listed by IAPMO
- Field Testable
- Two Independent Check Valves
- Drains automatically when hose is removed
- No spray back



FEATURES:

- EXTERIOR FINISH** - Brass
- VALVE** - Molded nitrile suitable for hot water.
- NOZZLE** - 3/4" male hose thread.
- NO LEAD SOLDER** - All solder joints.
- PLUNGER** - Hemispherical cushion type.
- STEM SCREW** - DELRIN®
- HEAD NUT** - Brass
- HANDLE** - Metal. (Optional Tee Key)
- INLETS** - As shown.
- MAX PRESSURE** - 125 p.s.i.
- MAX TEMPERATURE** - 120° F

NOTICE - To close and drain, turn handle clockwise until seated and water drains out of the drain hole or faucet may freeze and burst. Backflow Preventer replacement is recommended every 3-5 years.



Wall Thickness (inches)										
4	6	8	10	12	14	16	18	20	22	24
2.2	2.3	2.4	2.5	2.6	2.7	2.9	3.1	3.3	3.5	3.7
Shipping Wt. (lbs)										

Approx. Shipping Weight Each
 *Overall Length Dimension: Add wall thickness and inlet option length shown in chart above.

Patent informaion available at :
<http://www.woodfordmfg.com/Woodford/patents/>
For Installation / Troubleshooting Instructions go to:
www.woodfordmfg.com or call 1-800-621-6032

Backflow Protected Automatic Draining Freezeless Wall Faucet Model 27

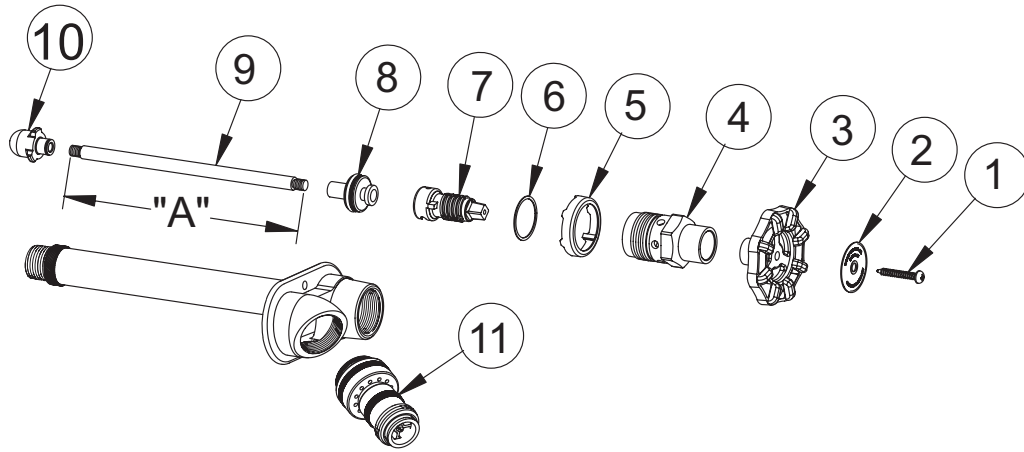


Inlet Descriptions

	<p>C Inlet COMBINATION Copper Sweat Fitting 1/2" K, L or M Inside 3/4" M Only Outside</p>
	<p>CP Inlet COMBINATION 1/2" Male Pipe Thread 1/2" Female Sweat</p>
	<p>CP3 Inlet COMBINATION 3/4" Male Pipe Thread 3/4" Female Sweat</p>
	<p>P Inlet COMBINATION 1/2" Female Pipe Thread 3/4" Male Pipe Thread</p>
	<p>PX Inlet 1/2" PEX Tube Fitting</p>
	<p>PX3 INLET 3/4" PEX Tube Fitting</p>

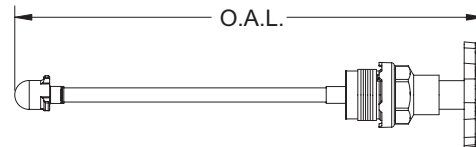
When ordering, specify model , inlet and wall thickness.

WOODFORD



MODEL 27 PARTS LIST

ITEM	PART#	DESCRIPTION
1	30234	Handle Screw
2	30439	I.D. Ring - Model 27
3	30239	Wheel Handle - Metal
4	30241	Head Nut - Brass
5	30236	Drain Guard
6	30245	Head Nut Gasket
7	30238	Stem Screw
8	35280	Drain Valve Assembly
9	303XX	Operating Rod (See Chart)
10	30230	Plunger Assembly
11	50HA-BR	Backflow Preventer
	RK-25	Repair Kit (Includes items 1, 3-8 & 10)



**OPERATING ROD ASSEMBLY
INCLUDES ITEMS 1 THRU 10**

Wall Thickness	Overall Length	Part No.
4	8"	35504
6	10"	35506
8	12"	35508
10	14"	35510
12	16"	35512
14	18"	35514
16	20"	35516
18	22"	35518
20	24"	35520
22	26"	35522
24	28"	35524

OPERATING ROD DIM "A"

Wall Thickness	Length	Part No.
4	4-7/16"	30304
6	6-7/16"	30306
8	8-7/16"	30308
10	10-7/16"	30310
12	12-7/16"	30312
14	14-7/16"	30314
16	16-7/16"	30316
18	18-7/16"	30318
20	20-7/16"	30320
22	22-7/16"	30322
24	24-7/16"	30324



For more information contact...

WOODFORD MANUFACTURING COMPANY

2121 Waynoka Road, Colorado Springs, Colorado 80915 • Phone: (800) 621-6032 • Fax: (800) 765-4115

To view our complete product line visit: www.woodfordmfg.com or email: sales@woodfordmfg.com

A Division Of WCM Industries, Inc.